

Steel ball valves, full bore

flange/flange, DN 15-400 PN 25

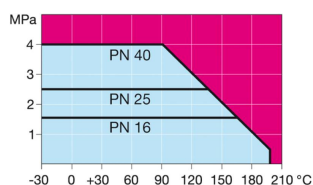
Properties

Body:	Up to DN 400 Steel, EN 10217-2 P235GH (1.0345) DN 500 Steel, P355 NL1 (1.0566)/GP240GH 1.0619
Ball:	Stainless steel, EN X5CrNi18-10 (1.4301)
Stem:	Stainless steel, EN X8CrNiS18-9 (1.4305)
Stem seals:	FPM
Ball seals:	Carbonized PTFE
Flanges	EN 1092-1 Available PN 10, 16, 25, 40
Operation:	DN 10 - 200 with galvanized steel handle DN 250 and larger without handle We recommend manual gear operation for sizes DN200 and larger



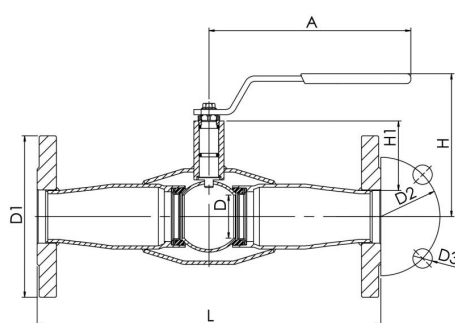
Operating conditions

-30°C - +200°C
Below 0 °C contact manufacturer

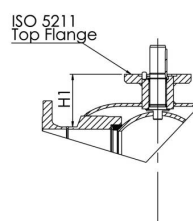


Not for steam

DN 15 - 125



DN 150 - 400



DN	PN body	PN flanges	Product no.	D	D1	D2	D3	H	H1	A	L	Holes	Kv	Kg
15	40	40	153 015	15	95	65	14	105	26	140	245	4	14	2,4
20	40	40	153 020	20	105	75	14	105	43	150	245	4	25	2,9
25	40	40	153 025	25	115	85	14	105	43	150	275	4	41	3,6
32	40	40	153 032	32	140	100	18	125	61	190	275	4	65	5,4
40	40	40	153 040	40	150	110	18	135	65	190	320	4	103	7
50	25	25	153 050/25	50	165	125	18	180	79	280	320	4	180	9,7
65	25	25	153 065/25	65	185	145	18	190	83	280	325	8	290	12,5
80	25	25	153 080/25	80	200	160	18	230	110	280	350	8	470	17
100	25	25	153 100/25	100	235	190	22	245	109	420	350	8	830	27
125	25	25	153 125/25	125	270	220	26	280	117	600	375	8	1150	38
150	25	25	153 150/25	150	300	250	26	280	118	870	560	8	1750	72
200	25	25	153 200/25	200	360	310	26	350	135	1200	560	12	3200	130
250	25	25	153 250/25	250	425	370	30	-	158	-	595	12	4600	170
300	25	25	153 300/25	290	485	430	30	-	208	-	716	16	9600	230
350	25	25	153 350/25	340	555	490	33	-	267	-	802	16	13300	370
400	25	25	153 400/25	390	620	550	36	-	309	-	1140	16	18700	660