

# Stainless steel ball valves, reduced bore

flange/flange, DN 15-250 PN 25

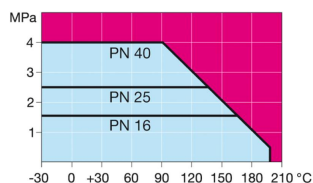
## Properties

Body:	Stainless steel, EN 10217-7 X2CrNiMo17-12-2 (1.4404)
Ball:	Stainless steel, EN X2CrNiMo17-12-2 (1.4404)
Stem:	Stainless steel, EN X2CrNiMo17-12-2 (1.4404)
Stem seals:	FPM/NBR
Ball seals:	Carbonized PTFE
Flanges	EN 1092-1 Available PN 10, 16, 25, 40
Length	DIN 3202
Operation:	DN 10-100 with stainless steel handle DN 125-250 with galvanized steel handle We recommend manual gear operation for sizes DN200 and larger



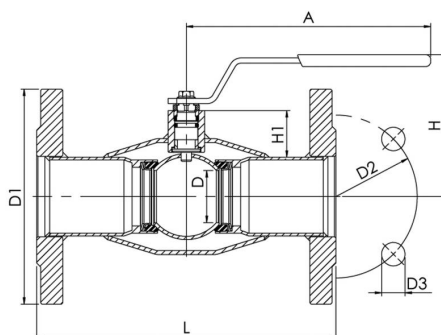
## Operating conditions

-30°C - +200°C  
Below 0 °C contact manufacturer

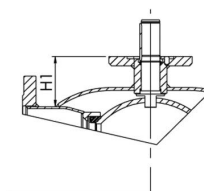


Not for steam

DN 15 - 150



DN 200 - 250



DN	PN body	PN flanges	Product no.	D	D1	D2	D3	H	H1	A	L	Holes	Kv	Kg
15	40	40	233 015	10	95	65	14	100	22	140	130	4	8	1,6
20	40	40	233 020	15	105	75	14	100	23	140	150	4	14	2,3
25	40	40	233 025	20	115	85	14	90	29	150	160	4	25	2,8
32	40	40	233 032	25	140	100	18	95	28	150	180	4	41	4,4
40	40	40	233 040	32	150	110	18	100	35	190	200	4	65	5,2
50	40	40	233 050	40	165	125	18	110	36	190	230	4	103	6,9
65	25	25	233 065/25	50	185	145	18	160	51	280	270	8	180	10,5
80	25	25	233 080/25	65	200	160	18	170	57	280	280	8	290	13
100	25	25	233 100/25	80	235	190	22	185	55	280	300	8	470	18
125	25	25	233 125/25	100	270	220	26	205	56	420	325	8	830	27
150	25	25	233 150/25	125	300	250	26	240	62	600	350	8	1150	35
200	25	25	233 200/25	150	360	310	26	280	92	870	400	12	1750	59
250	25	25	233 250/25	200	425	370	30	340	108	1200	550	12	3200	105